

6" ADAPTER PLATE INSTALLATION P/N EA-6-ADPTR



**NOTE: EA-6-ADPTR IS COMPATIBLE WITH EA7-S6M-R, EA7-S6M, EA7-T6CL-R AND EA7-T6CL TOUCH PANELS ONLY.
EA-6-ADPTR IS NOT COMPATIBLE WITH EA9 SERIES PANELS**

6" Adapter Plate shown with *C-more* 6" Touch Panel



The adapter plate has been designed to simplify the retrofit of a new *C-more* 6" touch panel into an existing cabinet cutout for an EZTouch 6" non-slim touch panel, such as our part number EZ-S6C-K, EZ-S6C-F, EZ-S6C-FH, EZ-S6M-R, EZ-S6M-F or EZ-S6M-FH. The new *C-more* 6" touch panel will directly mount into the existing cutout opening for any EZTouch 6" slim touch panel.

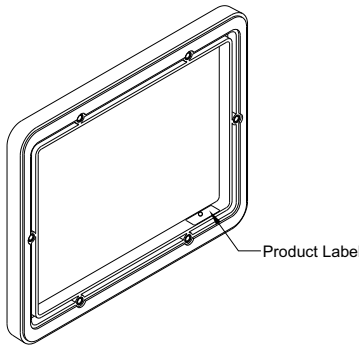
Two sets of mounting screws are provided with the adapter plate. Set A contains six M4 metric screws by 8mm in length for a control cabinet thickness range of 0.02-0.118" [0.5-3mm]. Set B contains six M4 metric screws by 10mm in length for a control cabinet thickness range of 0.118-0.197" [3-5mm]. Mounting screw torque: 100 oz-in [0.7 Nm].

The two DIN mounting clips that secure the *C-more* 6" touch panel to the adapter plate are provided with the touch panel. The adapter plate has an integral sealing gasket and the touch panel includes a gasket to seal the panel to the adapter.

Use of the adapter plate will maintain the NEMA 4/4X (indoor) rating of the *C-more* touch panel.

Dimensions for the cutout with mounting hole locations and an assembly diagram are shown on the back of this data sheet.

Preparation: Confirm the existing cutout with the dimensions shown on the back of this data sheet when using the adapter plate to replace an existing EZTouch 6" non-slim touch panel with a new *C-more* 6" touch panel.



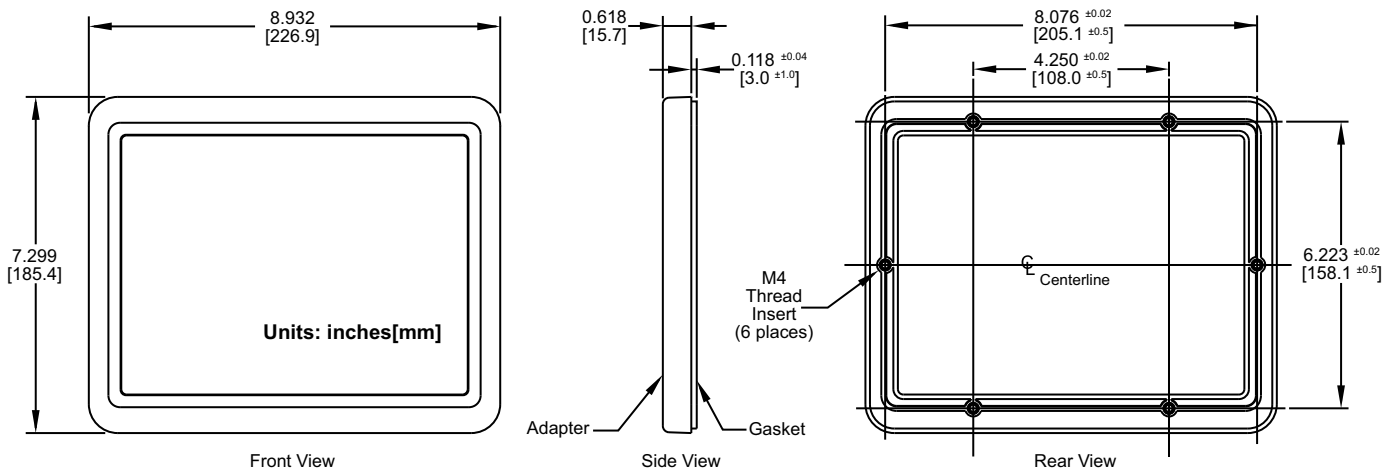
1-800-633-0405

www.automationdirect.com/c-more

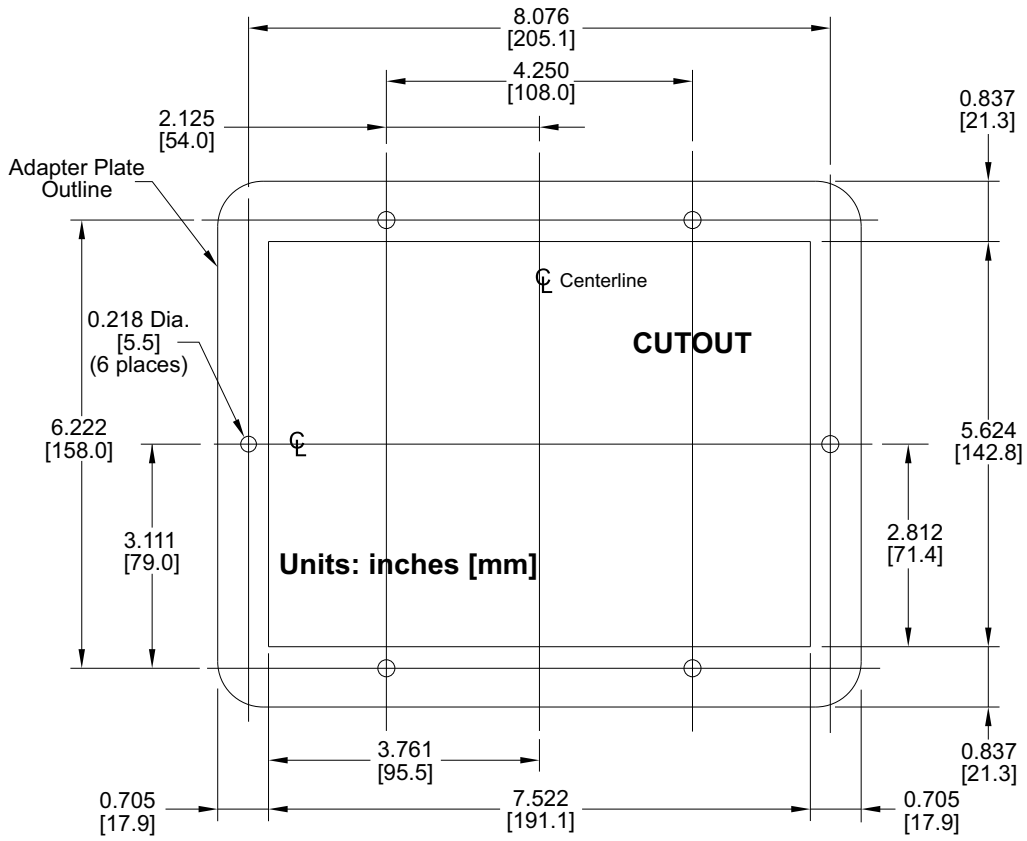


WARNING: Mount the adapter plate and touch panel on a vertical surface to allow proper cooling.

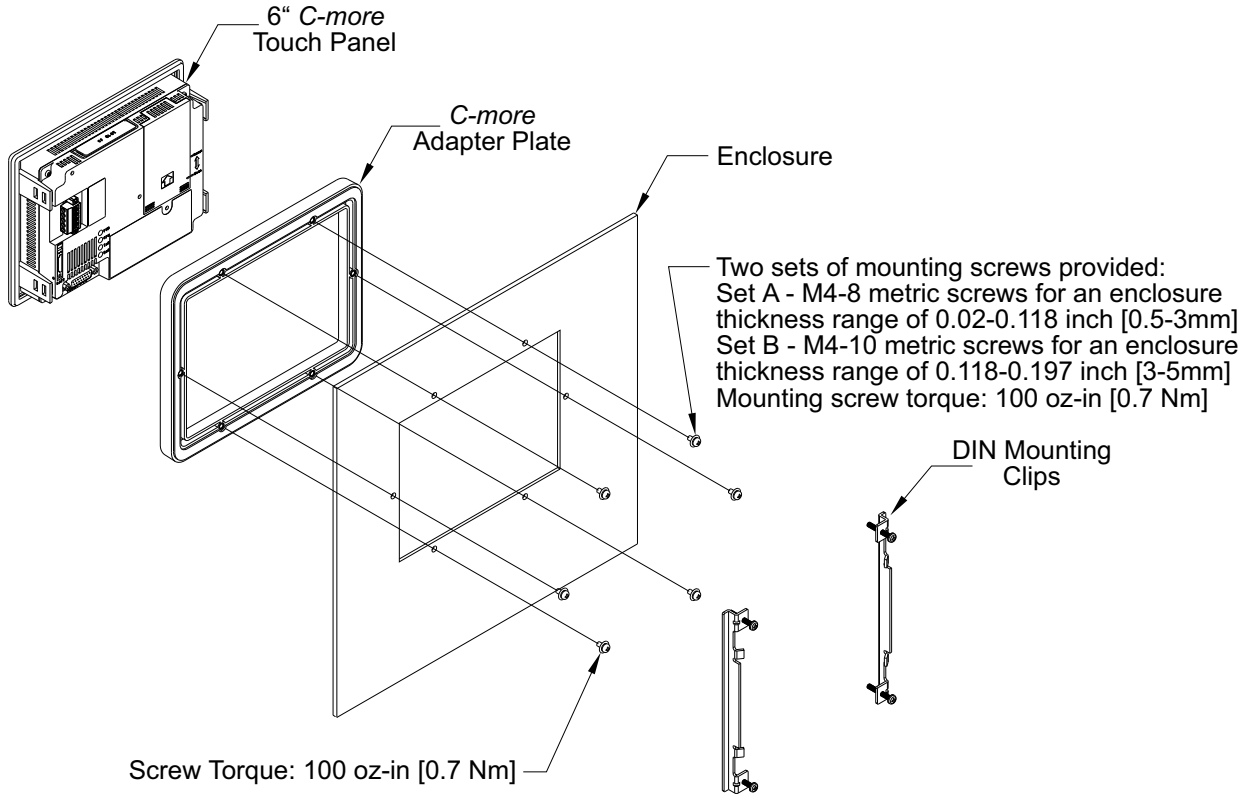
Adapter Plate Dimensions:



Adapter Plate Cutout Dimensions:



Adapter Plate Assembly:



1-800-633-0405

www.automationdirect.com/c-more